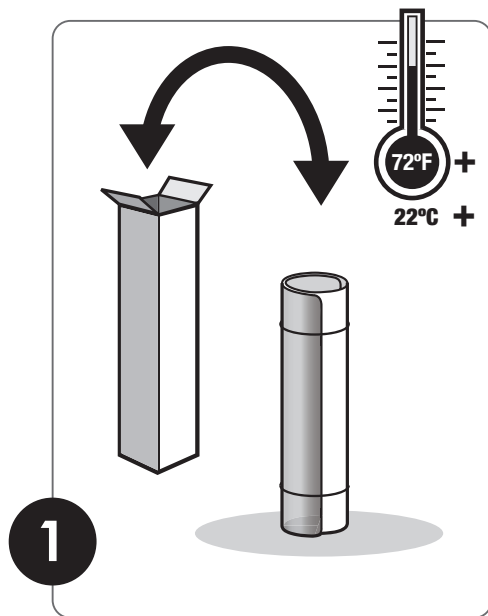
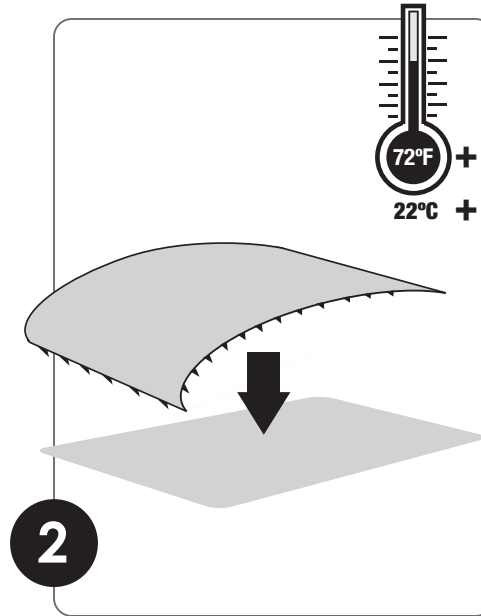


HOW TO UNROLL YOUR CHAIRMAT

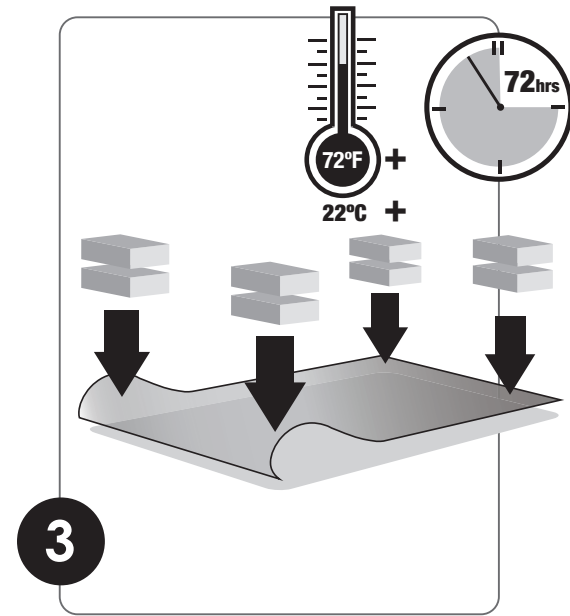
We recommend that you follow these instructions for the best results:



- Remove your mat from its carton & allow it to warm thoroughly to at least room temperature before unrolling.



- Once thoroughly warmed through, unroll the mat onto a totally flat and even floor. We recommend using two people to do this.
- Ensure the textured surface of the mat is facing upwards:
 - for *Hard Floor application mats* the *smooth side is facing down*.
 - for *Carpet application mats* the *grippers are facing down*.



- Place flat weighted items such as books on to the corners of the mat and in the center.
- Your mat will gradually regain and retain its flat state, this could take up to 72 hours depending on the environmental conditions.

Thank you for choosing a Floortex Advantagemat

In order to offer the best possible value we roll these Vinyl/PVC mats to save you money on freight and to make them easier to handle on delivery.

Floortex's unique Vinyl/PVC formulation offers excellent performance, but like all Vinyl/PVC products it needs a little care to return it to its flat working state.

By following the instructions above, your mat will be ready for use in the quickest time possible.

For further help or advice please email Floortex at: info@floortex.com